

KAISAI



ARCTIC POWER

HIGH-CAPACITY HEAT PUMPS

65 KW

75 KW

110 KW

140 KW



**WE
CARE
ABOUT
AIR**

Contents

- 4 Features and functions
- 11 DHW preparation
- 12 Dimensions
- 13 Series
- 14 Technical specification

KAISAI



The Kaisai brand offer consists of modern and reliable products that provide comfort and meet the expectations of the specifics of the HVACR market, dedicated to both business customers and end users.

Through years of investment in technology, Kaisai equipment is recognized as one of the most innovative air conditioning solutions for public facilities and residential buildings.

Kaisai's portfolio includes state-of-the-art renewable energy solutions, including heat pumps, heat recovery recuperation units and photovoltaic products. The brand's portfolio also includes wall-mounted, multi-split, cassette, duct, floor-ceiling, console and portable air conditioners.

HIGH-CAPACITY HEAT PUMPS

Compact reversible air-to-water heat pumps for **space heating and cooling and domestic hot water production**. Ideal for new buildings or replacement of existing heating systems, also in combination with an existing heat source.



GWP
675

GWP = 675 **Global warming potential**

The heat pumps use environmentally friendly R32 refrigerant, with a low global warming potential (GWP=675) in accordance with the European F-Gas Directive, which aims to gradually reduce the use of greenhouse gases.



Eco-friendly

R32 has one of the lowest GWPs on the market at 675, does not deplete the ozone layer thanks to an ODP of 0.



Cost-effective

Compared to R410A, R32 refrigerant is more energy efficient, so less charge is needed in the system.



Safe

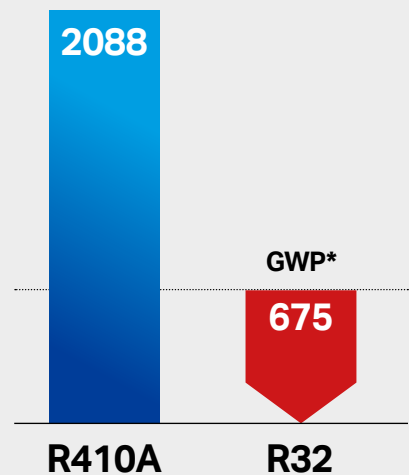
R32 refrigerant has low toxicity and low flammability - it poses no threat to life and health even in the event of a system leak.



67%

Lower global warming impact compared to R410A

* with reference to the Fourth IPCC Report





24/7 comfort management

Kaisai offers **reliable solution for managing comfort** in all seasons, with maximum attention to energy saving.



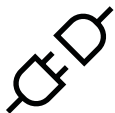
Water temperature

Water temperature **for central heating up to 65°C and hot water up to 62°C** (using an electric heater up to 70°C).



Wide range of applications

- Residential facilities
- Industrial facilities
- Commercial facilities
- Health care



Plug&Play

The solution is compact and easy to install. The user receives a complete, hermetic, ready-to-use device that does not require the installation of a cooling system.



Option to connect multiple devices

Possibility of cascading up to 16 heat pumps and controlling up to 256 heat pumps via MODBUS.



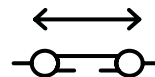
EVI system

Use of **EVI system to improve heat pump performance** especially in lower outdoor temperature ranges.



Safety

R32 refrigerant has low toxicity and low flammability [Class A2L] - it does not pose a threat to life and health even in the event of a system leak.



Wide range of operation

Thanks to modern technology, heat pumps operate over a very wide range of outdoor temperatures [heating mode -25°C ÷ +43°C] and achieve high temperature parameters for the heating system or domestic hot water.

ARCTIC POWER SERIES HEAT PUMPS

Compliance
with the directives

ERP

Legal regulations:

The units comply with the ERP Directive (ordinance no. 813/2013), extending the existing minimum seasonal energy efficiency requirements for heating operation (SCOP).

Maximum performance levels

A heat pump recovers much of the energy from the outside environment. It uses the heat exchange between the environment and the water in the system to provide thermal energy to heat or cool the interior of a building or preparing domestic hot water. Due to its design and technology, the heat pump has high efficiency at both full load and part load.

Regulation on F-gases

The use of R32 refrigerant in Kaisai heat pumps makes it possible to reduce CO₂ emissions into the atmosphere and thus contribute to the reduction of the greenhouse effect, according to the F-gas regulation.



HIGH CAPACITY HEAT PUMPS FEATURES AND FUNCTIONS

Kaisai's high-powered heat pump is an ideal solution for retrofitting existing installations, including those with traditional radiators.



Preview of main inputs/ outputs



Setting modification, climate curves



Manual alarm reset



Graphical presentation of device status



Weekly schedule



Active alarms



Unit on/off button



Temperature / pressure preview



**THE CONTROLLER
HAS THREE ACCESS LEVELS**



User
Service
Design

Electronic controls

The controller, complete with display, can be connected to the BMS via the RS485 serial interface (Modbus RTU protocol). This functionality **allows the display of all the process variables of the unit, access to the configuration of the operating parameters and their modification.** For technical support, it is possible to access the management parameters of the unit after entering a password (access only for authorized personnel).



Electronic expansion valves

Electronic expansion valve **for precise control of refrigerant flow and a second electronic expansion valve for the EVI** (enhanced vapor injection).



Brushless DC fan motor

Integrated and miniaturized control electronics eliminate losses due to motor slippage and ensure that the motor operates within the optimum speed range.

**NIGHT-TIME
MODE**



Energy saving and simplified operating system of the device

A heat pump is an **excellent and efficient replacement for a traditional gas boiler** that also provides water cooling during the summer. This solution eliminates the need for two separate heating and cooling systems.



Operation at low outdoor temperatures down to -25°C

Kaisai high-capacity heat pumps are the ideal solution for any region, as they are able to operate efficiently regardless of climatic conditions, even in the most demanding regions.

Cu/Al coil

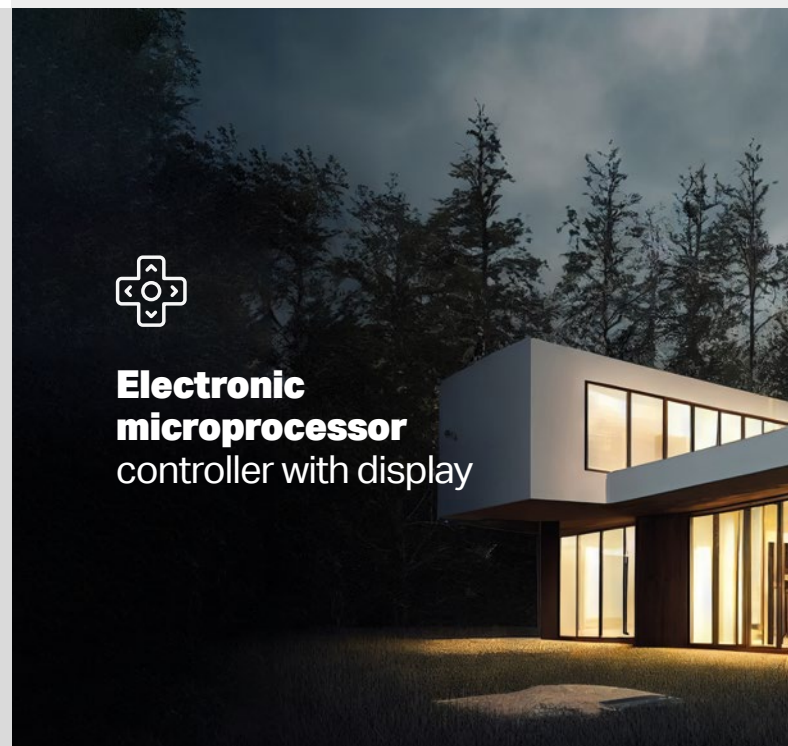
- **with hydrophilic coating** to facilitate drainage of water from the exchanger
- **with a jacket for increased** resistance to corrosive agents

Inverter compressor

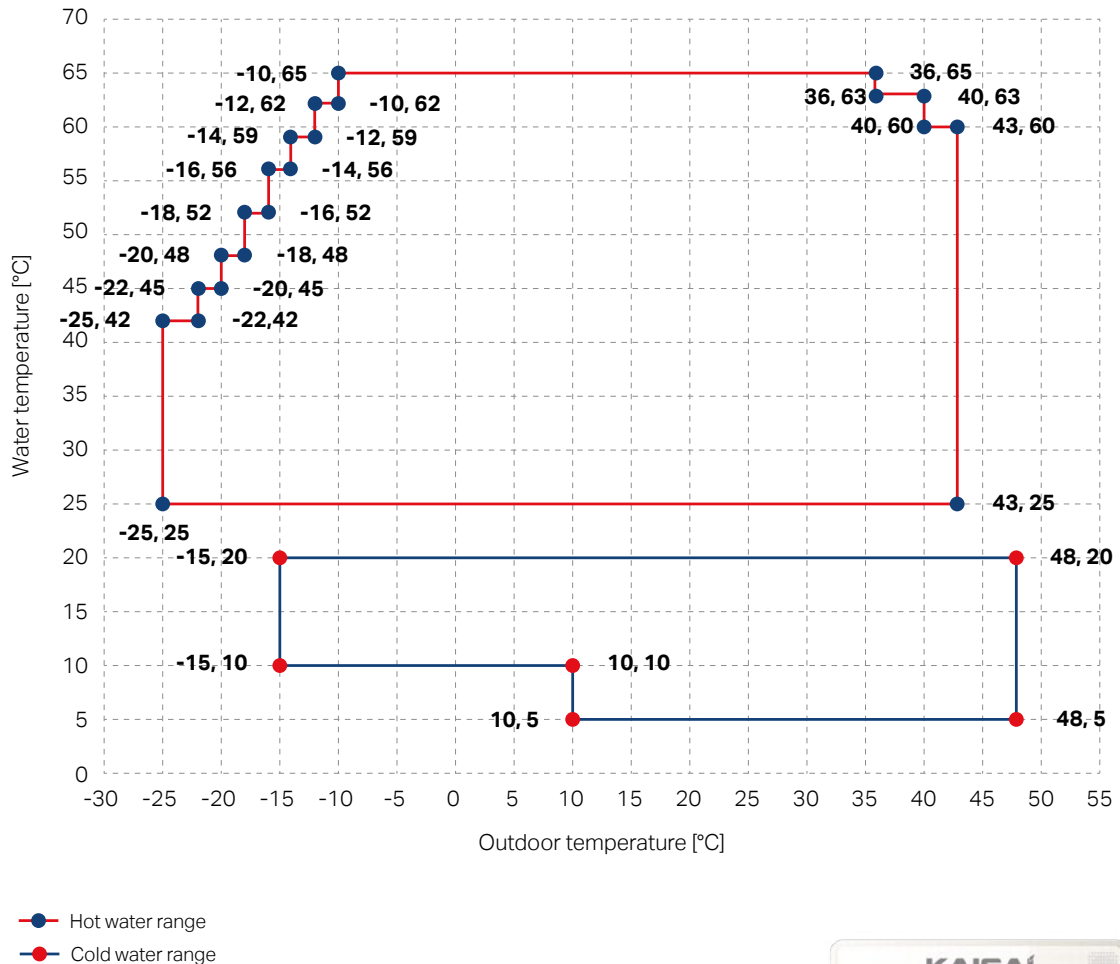
- 1 compressor dedicated to 65kW, 74kW heat pump
- 2 compressors dedicated to 110kW, 140kW heat pump



Electronic microprocessor controller with display



Wide operating temperature range and advanced features



Functions managed by the controller:

✓
Preparation of domestic hot water

✓
Limitation of maximum electrical power from 40% - 100%

✓
Weather curve – changing the set point in relation to the outside air temperature

✓
Hybrid system management

✓
Night-time mode

✓
Silent mode



Management of domestic hot water (DHW) preparation

A controller built into the unit **can regulate the operation of an external 3-way switching valve** to prepare hot water in response to demand, which can be controlled by a thermostat or a sensor installed in the technical tank (not supplied). **The appliance has 3 operating modes.**

Mode 1

Cooling

+

DHW preparation

Mode 2

DHW preparation

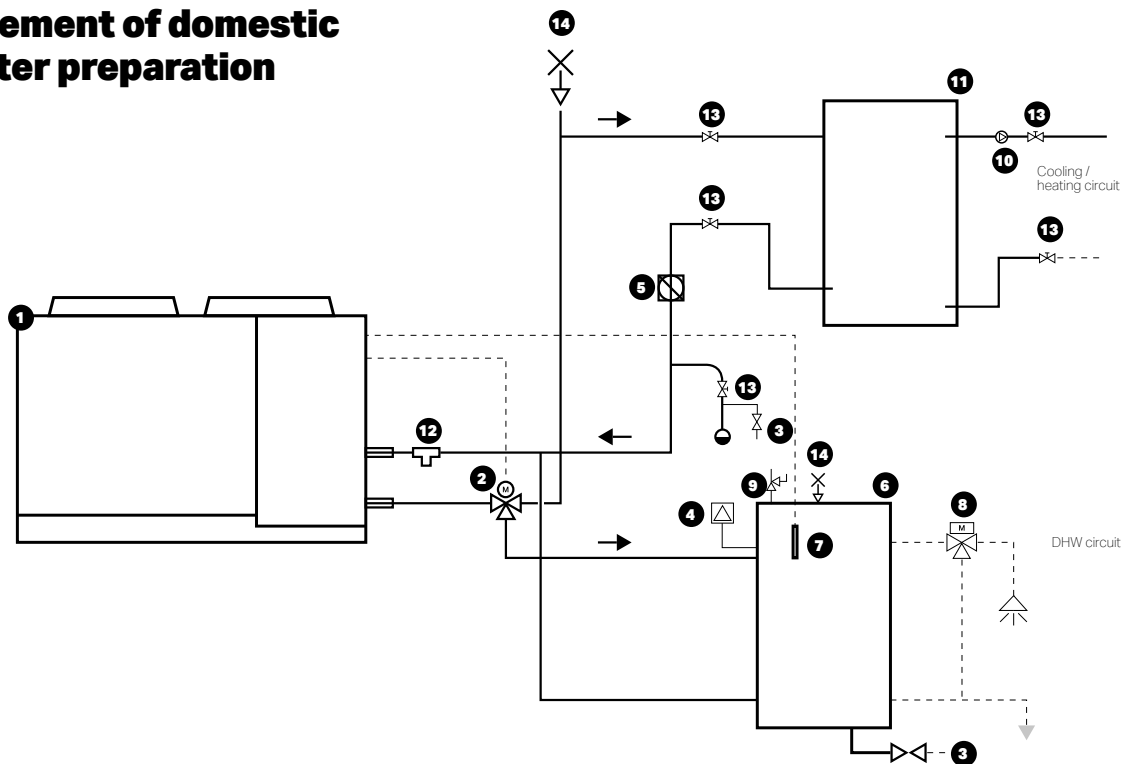
Mode 3

Heating

+

DHW preparation

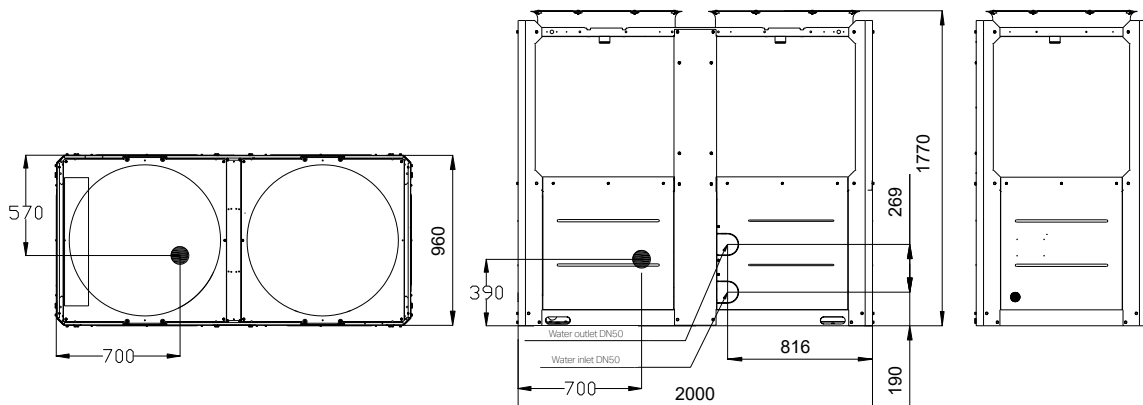
Management of domestic hot water preparation



Key

- | | |
|--|---|
| 1. Heat pump with inverter compressors and variable speed circulation pump | 8. Thermostatic valve |
| 2. 3-way switching valve | 9. Safety valve |
| 3. Drain valve | 10. Central heating system circulation pump |
| 4. Expansion vessel | 11. Buffer tank |
| 5. Air separator | 12. Water filter |
| 6. Domestic hot water tank | 13. Shut-off valve |
| 7. Sensor / thermostat for domestic hot water storage tank | 14. Vent valve |

KCHP-SU65-RN8L | KCHP-SU75-RN8L dimensions



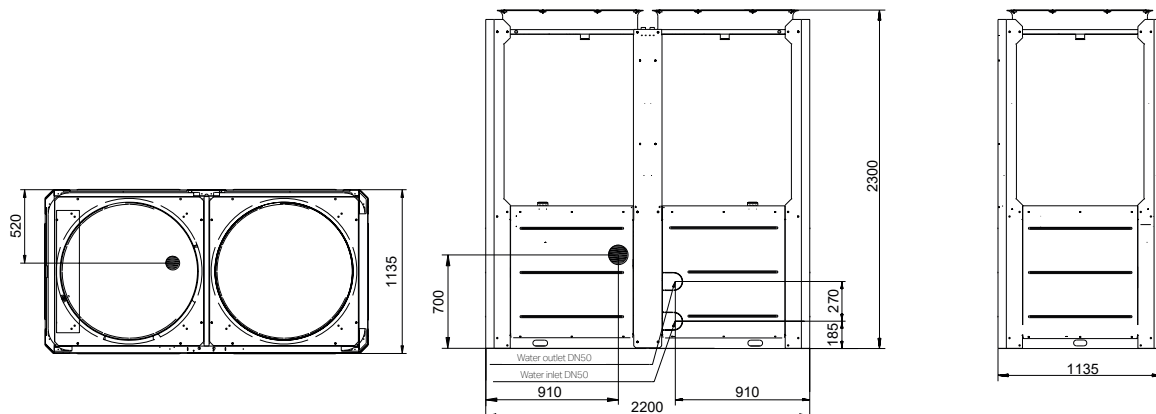
Series



KCHP-SU65-RN8L KCHP-SU75-RN8L KCHP-SU110-RN8L KCHP-SU140-RN8L

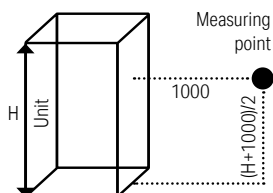
Reversible heat pump	Yes		Yes	
Key features				
Heating A7W35 (kW)	64,65 kW	77,70kW	113,14 kW	142,94 kW
Cooling A35W7 (kW)	56,68 kW	69,29 kW	99,33 kW	129,29 kW
Compressor	Inverter		2 inverter	
Circulation pump	Variable speed		Variable speed and constant speed	
Domestic hot water up to 62°C	With 70°C tank heater			
Evaporator	Plate		Plate	
Condenser	Cu/Al with hydrophilic coating and a jacket to increase corrosion resistance			
Sound level				
Standard			Yes	
Silent			Yes	
Super silent			Yes	
Night-time			Yes	
EVI system			Yes	
Refrigerant R32			Yes	
Compressor			Rotary	
Cascade mode			Yes (up to 16 units)	

KCHP-SU110-RN8L | KCHP-SU140-RN8L dimensions



Technical specification

Model			KCHP-SU65-RN8L	KCHP-SU75-RN8L	KCHP-SU110-RN8L	KCHP-SU140-RN8L
Power supply		V/Ph/Hz	380~415/3/50	380~415/3/50	380~415/3/50	380~415/3/50
Cooling (A35W7)	Capacity	kW	56.68	69.29	99.33	129.29
	Input power	kW	19.79	28.26	34.09	52.01
	EER		2.86	2.45	2.91	2.49
Cooling (A35W18)	Capacity	kW	75.30	85.07	127.26	137.06
	Input power	kW	22.14	25.06	35.50	38.69
	EER		3.40	3.39	3.58	3.54
SEER			4.92	4.85	4.78	4.77
Heating (A7W65)	Capacity	kW	60.10	61.10	100.12	110.12
	Input power	kW	26.24	26.89	43.27	50.37
	COP		2.29	2.27	2.31	2.19
Heating (A7W55)	Capacity	kW	64.15	66.15	106.32	126.37
	Input power	kW	21.68	22.50	35.85	50.28
	COP		2.96	2.94	2.97	2.51
Heating (A7W45)	Capacity	kW	65.65	75.71	110.67	140.94
	Input power	kW	19.43	23.51	31.21	47.10
	COP		3.38	3.22	3.55	2.99
Heating (A7W35)	Capacity	kW	64.65	77.70	113.14	142.94
	Input power	kW	16.37	21.61	28.52	40.54
	COP		3.95	3.59	3.97	3.53
SCOP (55) temperate climate			3.36	3.36	3.23	3.23
SCOP (35) temperate climate			4.47	4.47	4.23	4.23
Fan	Type		silnik DC	silnik DC	silnik DC	silnik DC
	Number		2	2	2	2
	Airflow capacity	m ³ /h	22000	28500	32500	50000
Air-side heat exchanger	Type		Finned coil	Finned coil	Finned coil	Finned coil
	Number of rows		2	2	2	2
	Fin thickness	mm	0.095	0.095	0.095	0.095
	Pipe diameter	mm	7	7	7	7
Water-side heat exchanger	Type		plate	plate	plate	plate
	Water pressure drops	kPa	23.0	17.3	18.0	11.7
	Volume	L	5.17	5.17	11.1	11.1
	Nominal water flow (cooling)	m ³ /h	9.8	12.04	17.2	22.36
	Nominal water flow (heating)	m ³ /h	11.2	12.9	18.9	24.08
Range of water flow		m ³ /h	3~14	3~14	5~26	5~26
Refrigeration system	Type		R32	R32	R32	R32
	Refrigerant charging	kg	9	9	15.5	15.5
	Throttling element		EXV	EXV	EXV	EXV



1. Measured in accordance with the standard: EN12102-1. outdoor temperature: 35°C DB. EWT 12°C, LWT 7°C.
2. Outdoor temperature: 35°C DB. EWT 12°C, LWT 7°C. Sound pressure level is the average measurement obtained in a semi-anechoic chamber, at a distance of 1 m from the front of the unit for all four walls and at a height of $(1+H)/2$ m (where H is the height of the unit) above the floor. During normal operation, sound pressure levels may be higher due to ambient noise.
3. For water temperatures below 5 °C, an antifreeze is required.
4. The electric heater of the storage tank is not an accessory.

Model	MHIE802-1/10/E/3-380-60-2				MHIE802-1/10/E/3-380-60-2 MHI802-1/10/E/3-380-50-2	
	Expansion vessel (custom)	Volume	L	12	12	22
	Initial pressure	Mpa	0.15	0.15	0.15	0.15
	Test pressure	Mpa	1	1	1	1
	Sound power level ¹ (A7W45)	dB(A)	80	86	80	92
	Sound pressure level (1m) ² (A7W45)	dB(A)	64	69	64	73
	Sound power level - muted mode (A7W45)	dB(A)	77	82	75	88
	Sound power level - super-muted mode (A7W45)	dB(A)	74	78	72	85
	Net dimensions (W × H × D)	mm	2000 × 1770 × 960	2000 × 1770 × 960	2220 × 2300 × 1135	2220 × 2300 × 1135
	Gross dimensions (W × H × D)	mm	2085 × 1890 × 1030	2085 × 1890 × 1030	2250 × 2445 × 1180	2250 × 2445 × 1180
	Net / gross weight	kg	475 / 490	475 / 490	746 / 767	746 / 767
	Hydraulic system connections	mm	DN50	DN50	DN65	DN65
Outdoor temperature range	Cooling ³	°C	-15 ÷ 48	-15 ÷ 48	-15 ÷ 48	-15 ÷ 48
	Heating	°C	-25 ÷ 43	-25 ÷ 43	-25 ÷ 43	-25 ÷ 43
	DHW	°C	-20 ÷ 43	-20 ÷ 43	-20 ÷ 43	-20 ÷ 43
Supply temperature range	Cooling ³	°C	0 ÷ 20	0 ÷ 20	0 ÷ 20	0 ÷ 20
	Heating	°C	25 ÷ 65	25 ÷ 65	25 ÷ 65	25 ÷ 65
	DHW	°C	30 ÷ 62	30 ÷ 62	30 ÷ 62	30 ÷ 62
	DHW (heat pump + electric heater) ⁴	°C	30 ÷ 70	30 ÷ 70	30 ÷ 70	30 ÷ 70

Model	MHIE802-1/10/E/3-380-60-2				MHI802-1/10/E/3-380-50-2	
	Power supply	V/Ph/Hz	380V ±10% 3P 50/60Hz		380V ±10% 3P 50Hz	
Water pump (custom)	Nominal power consumption	kW	1.78		0.93	
	Nominal current consumption	A	3.25		1.83	
	Nominal head	A	27.1		15.0	
	Nominal speed	r/mm	3480		2825	

Electrical characteristics

System	Outdoor unit		Current		Compressor		Fan			
	Voltage	Hz	Min.	Max.	MCA	MOP	MSC	RLA	kW	FLA
	(V)		(V)	(V)	(A)	(A)	(A)	(A)		(A)
KCHP-SU65-RN8L	380-415	50	342	456	46	54	-	34.09	0.39	1.4
KCHP-SU75-RN8L	380-415	50	342	456	46	54	-	34.09	0.72	2.5
KCHP-SU110-RN8L	380-415	50	342	456	90	106	-	34.09	0.68	1.7
KCHP-SU140-RN8L	380-415	50	342	456	90	106	-	34.09	1.60	4.0

MCA: Minimum Current Ampacity (A)

MOP: Maximum Overcurrent Protection (A)

MSC: Maximum Start-up Current (A)

FLA: Full Load Amps

kW: Rated motor power

RLA: Rated Load Amps under nominal test conditions for cooling or heating.



65kW HEAT PUMP – HEATING MODE

LWT	DB																				
	-25			-20			-18			-15			-10			-7			-5		
	HC	PI	COP	HC	PI	COP	HC	PI	COP	HC	PI	COP	HC	PI	COP	HC	PI	COP	HC	PI	COP
25	34.52	16.33	2.11	40.15	16.06	2.50	43.56	15.45	2.82	46.36	15.36	3.02	49.34	16.24	3.04	53.04	17.08	3.10	55.51	17.63	3.15
30	32.15	17.25	1.86	37.38	16.95	2.21	42.25	15.77	2.68	44.96	15.55	2.89	47.85	16.32	2.93	51.24	17.14	2.99	53.50	17.67	3.03
35	32.53	19.07	1.71	37.84	18.63	2.03	40.24	16.69	2.41	42.81	16.48	2.60	45.54	17.33	2.63	48.75	17.67	2.76	50.89	18.65	2.73
40	30.14	19.67	1.53	35.08	19.19	1.83	40.30	20.51	1.97	42.88	20.04	2.14	45.61	20.90	2.18	49.18	21.30	2.31	51.55	21.56	2.39
45	/	/	/	35.13	22.79	1.54	39.40	22.79	1.73	41.93	22.03	1.90	44.61	22.73	1.96	48.59	21.76	2.23	51.25	22.86	2.24
48	/	/	/	33.74	27.39	1.23	38.55	27.89	1.38	41.02	25.18	1.63	43.64	24.49	1.78	47.83	23.39	2.04	50.62	25.59	1.98
50	/	/	/	/	/	/	36.24	26.46	1.37	38.56	23.88	1.61	41.03	24.09	1.70	45.56	22.72	2.01	48.57	24.10	2.01
55	/	/	/	/	/	/	/	/	/	37.49	24.47	1.53	39.89	24.54	1.63	44.67	23.03	1.94	47.87	23.97	2.00
60	/	/	/	/	/	/	/	/	/	/	/	/	38.53	25.95	1.48	42.87	26.10	1.64	45.76	26.19	1.75
65	/	/	/	/	/	/	/	/	/	/	/	/	36.43	27.75	1.31	40.94	28.46	1.44	43.96	28.86	1.52

LWT	DB																				
	0			2			5			7			10			12			15		
	HC	PI	COP	HC	PI	COP	HC	PI	COP	HC	PI	COP	HC	PI	COP	HC	PI	COP	HC	PI	COP
25	61.68	18.39	3.35	63.16	18.46	3.42	65.39	18.57	3.52	69.54	17.18	4.05	72.91	17.27	4.22	77.13	17.98	4.29	83.44	18.94	4.41
30	59.16	18.74	3.16	60.58	18.65	3.25	62.70	18.54	3.38	67.06	16.71	4.01	71.64	17.56	4.08	74.98	18.06	4.15	79.98	18.56	4.31
35	56.24	18.57	3.03	57.62	18.32	3.15	59.68	17.98	3.32	64.65	16.37	3.95	66.56	15.88	4.19	72.46	16.77	4.32	76.63	17.20	4.45
40	57.49	20.84	2.76	59.01	20.29	2.91	61.30	19.57	3.13	64.97	18.38	3.54	67.36	17.90	3.76	70.21	17.94	3.91	74.48	17.98	4.14
45	57.88	22.93	2.52	59.47	21.97	2.71	61.87	20.77	2.98	65.65	19.43	3.38	66.97	18.46	3.63	68.52	18.09	3.79	71.64	18.31	3.91
48	57.58	24.58	2.34	59.25	23.03	2.57	61.74	21.17	2.92	64.94	20.34	3.19	66.63	18.83	3.54	68.22	18.70	3.65	70.62	18.50	3.82
50	56.08	24.39	2.30	58.17	23.09	2.52	61.30	21.53	2.85	64.63	20.74	3.12	65.42	18.88	3.47	67.18	18.79	3.58	69.81	18.67	3.74
55	55.88	25.34	2.21	57.98	24.17	2.40	61.14	22.77	2.68	64.15	21.68	2.96	65.02	21.32	3.05	66.70	21.34	3.13	69.14	21.78	3.17
60	52.97	27.90	1.90	55.29	25.90	2.13	58.78	23.64	2.49	62.07	23.03	2.69	62.67	22.64	2.77	63.68	22.60	2.82	65.78	22.74	2.89
65	51.54	30.84	1.67	53.80	28.68	1.88	57.19	26.24	2.18	60.10	26.24	2.29	62.01	25.21	2.46	63.35	24.10	2.63	65.10	24.20	2.69

LWT	DB																				
	20			25			30			35			40			43					
	HC	PI	COP	HC	PI	COP	HC	PI	COP	HC	PI	COP	HC	PI	COP	HC	PI	COP			
25	87.61	19.42	4.51	89.49	18.85	4.75	93.44	17.77	5.26	95.55	16.73	5.71	97.49	15.92	6.12	99.53	15.42	6.45			
30	84.30	19.22	4.39	87.36	18.86	4.63	91.55	18.13	5.05	93.52	17.35	5.39	95.56	16.51	5.79	97.44	16.26	5.99			
35	81.02	17.73	4.57	84.40	17.11	4.93	88.98	17.11	5.20	90.96	16.64	5.47	92.99	16.03	5.80	94.97	15.49	6.13			
40	76.69	17.46	4.39	78.66	16.67	4.72	83.81	17.47	4.80	87.23	17.25	5.06	89.97	16.34	5.50	92.77	16.03	5.79			
45	73.87	17.96	4.11	76.39	17.34	4.40	82.32	17.86	4.61	85.82	17.83	4.81	88.88	16.91	5.26	90.44	16.42	5.51			
48	73.83	18.40	4.01	76.12	17.72	4.30	82.12	18.26	4.50	83.82	18.02	4.65	85.81	16.73	5.13	87.72	16.32	5.37			
50	72.82	18.53	3.93	74.83	17.78	4.21	80.74	18.33	4.41	83.15	18.25	4.56	84.83	16.88	5.03	86.72	16.47	5.27			
55	72.23	21.77	3.32	74.14	20.99	3.53	76.37	20.76	3.68	80.59	20.55	3.92	82.42	19.95	4.13	83.97	19.48	4.31			
60	67.96	22.55	3.01	69.65	22.03	3.16	62.61	18.85	3.32	66.08	18.32	3.61	60.65	16.31	3.72	57.06	14.62	3.90			
65	67.13	24.42	2.75	69.09	24.62	2.81	48.81	16.70	2.92	41.03	13.12	3.13	/	/	/	/	/	/			



65Kw HEAT PUMP – COOLING MODE

LWT	DB																			
	-15			-10			-5			0			5			10				
	CC	PI	EER	CC	PI	EER	CC	PI	EER	CC	PI	EER	CC	PI	EER	CC	PI	EER		
0	/	/	/	/	/	/	/	/	/	/	/	/	/	/	/	/	/	45.15	10.72	4.21
5	/	/	/	/	/	/	/	/	/	/	/	/	/	/	/	/	/	49.96	11.42	4.38
7	/	/	/	/	/	/	/	/	/	/	/	/	/	/	/	/	/	53.02	12.03	4.41
10	50.14	7.69	6.52	49.55	7.81	6.35	48.95	8.26	5.93	47.29	8.78	5.39	45.91	9.25	4.96	56.28	12.20	4.61		
15	57.26	7.91	7.24	56.59	8.02	7.05	55.80	8.84	6.32	53.28	8.65	6.16	52.42	8.73	6.00	61.07	10.69	5.71		
18	61.11	8.17	7.48	60.39	8.25	7.32	59.74	8.89	6.72	58.19	8.92	6.52	56.83	8.86	6.41	67.01	10.87	6.17		
20	63.57	8.49	7.48	62.82	8.54	7.35	62.26	9.06	6.87	61.37	9.21	6.67	59.68	9.05	6.60	70.84	11.17	6.34		

LWT	DB																	
	15			20			25			30			35			40		
	CC	PI	EER	CC	PI	EER	CC	PI	EER	CC	PI	EER	CC	PI	EER	CC	PI	EER
0	49.87	13.02	3.83	49.15	13.30	3.70	48.49	13.70	3.54	47.77	16.24	2.94	46.16	17.73	2.60	42.49	17.64	2.41
5	57.85	14.06	4.12	56.76	14.34	3.96	54.66	14.72	3.71	53.31	17.41	3.06	52.04	19.01	2.74	47.92	18.89	2.54
7	62.06	15.16	4.09	61.19	15.31	4.00	60.00	15.91	3.77	57.98	17.80	3.26	56.68	19.79	2.86	51.58	19.47	2.65
10	65.62	15.67	4.19	64.85	15.95	4.07	64.02	16.26	3.94	62.12	18.43	3.37	60.55	20.07	3.02	53.96	19.07	2.83
15	72.39	14.39	5.03	71.61	15.15	4.73	70.01	15.98	4.38	67.42	17.36	3.88	63.66	18.34	3.47	58.80	17.97	3.27
18	83.74	15.67	5.34	81.38	16.28	5.00	79.70	17.37	4.59	78.02	18.79	4.15	75.30	22.14	3.40	64.35	19.38	3.32
20	87.88	16.20	5.42	85.90	17.00	5.05	83.73	18.08	4.63	81.09	19.00	4.27	77.99	19.06	4.09	67.94	17.35	3.92

LWT	DB								
	43			45			48		
	CC	PI	EER	CC	PI	EER	CC	PI	EER
0	40.19	18.49	2.17	36.96	17.73	2.09	27.25	17.39	1.57
5	45.85	20.04	2.29	41.19	18.75	2.20	28.68	16.77	1.71
7	48.78	19.63	2.48	43.71	18.69	2.34	30.10	15.57	1.93
10	50.96	19.41	2.63	46.15	18.51	2.49	31.00	13.81	2.24
15	53.20	17.15	3.10	45.50	15.50	2.93	31.32	11.19	2.80
18	55.58	17.37	3.20	48.28	15.52	3.11	34.14	11.64	2.93
20	57.09	15.97	3.57	50.09	15.32	3.27	36.01	11.99	3.00

Abbreviations used:
HC: Total heating capacity (kW)
CC: Total cooling capacity (kW)
PI: Power consumption (kW) **LWT:** Leaving water temperature (°C)
DB: Outdoor temperature as indicated by a dry thermometer (°C)
 Performance specifications measured for a water pump operating at nominal flow rate



75kW HEAT PUMP – HEATING MODE

LWT	DB																				
	-25			-20			-18			-15			-10			-7			-5		
	HC	PI	COP	HC	PI	COP	HC	PI	COP	HC	PI	COP	HC	PI	COP	HC	PI	COP	HC	PI	COP
25	40.06	20.68	1.94	46.88	20.47	2.29	50.85	19.36	2.63	54.20	20.38	2.66	57.78	21.81	2.65	62.13	22.49	2.76	65.03	22.94	2.83
30	38.01	22.26	1.71	44.38	21.92	2.02	50.24	20.11	2.50	53.55	21.01	2.55	56.97	22.29	2.56	61.11	22.97	2.66	63.87	23.41	2.73
35	36.78	23.53	1.56	43.18	23.13	1.87	45.99	20.47	2.25	48.89	21.32	2.29	51.98	22.47	2.31	55.74	22.78	2.45	58.25	22.98	2.53
40	33.95	24.06	1.41	39.65	23.57	1.68	45.60	24.83	1.84	48.47	25.62	1.89	51.54	26.47	1.95	55.65	25.50	2.18	58.40	24.97	2.34
45	/	/	/	39.24	27.60	1.42	42.90	26.50	1.62	47.71	28.14	1.70	50.88	28.97	1.76	55.54	25.94	2.14	58.65	27.41	2.14
48	/	/	/	36.46	30.19	1.21	40.01	29.57	1.35	44.31	28.56	1.55	47.22	29.30	1.61	51.46	27.86	1.85	54.28	27.10	2.00
50	/	/	/	/	/	/	39.07	29.53	1.32	43.27	28.43	1.52	46.12	29.16	1.58	50.25	27.93	1.80	53.01	27.27	1.94
55	/	/	/	/	/	/	/	/	/	41.50	28.30	1.47	44.18	29.00	1.52	48.14	26.83	1.79	50.78	27.71	1.83
60	/	/	/	/	/	/	/	/	/	/	/	/	42.22	30.82	1.37	46.00	29.94	1.54	48.51	29.45	1.65
65	/	/	/	/	/	/	/	/	/	/	/	/	40.81	34.85	1.17	44.99	34.14	1.32	47.79	33.76	1.42

LWT	DB																				
	0			2			5			7			10			12			15		
	HC	PI	COP	HC	PI	COP	HC	PI	COP	HC	PI	COP	HC	PI	COP	HC	PI	COP	HC	PI	COP
25	72.69	24.57	2.96	74.47	24.75	3.01	77.13	25.03	3.08	86.21	22.79	3.78	87.36	22.83	3.83	94.05	24.07	3.91	97.73	24.72	3.95
30	70.90	25.42	2.79	72.63	25.42	2.86	75.21	25.42	2.96	83.16	22.62	3.68	84.88	22.82	3.72	90.53	23.94	3.78	94.23	24.59	3.83
35	64.42	23.65	2.72	66.05	22.70	2.91	68.49	23.23	2.95	77.70	21.61	3.59	78.53	20.30	3.87	88.49	22.68	3.90	90.33	22.83	3.96
40	64.13	25.92	2.47	66.40	25.60	2.59	69.80	25.17	2.77	77.25	21.72	3.56	79.46	21.90	3.63	87.92	23.94	3.67	89.25	23.69	3.77
45	62.26	27.39	2.27	65.80	27.09	2.43	71.11	26.72	2.66	75.71	23.51	3.22	78.30	22.75	3.44	85.42	23.64	3.61	87.78	23.80	3.69
48	61.45	29.37	2.09	63.20	28.32	2.23	65.81	26.97	2.44	71.51	22.75	3.14	72.82	22.41	3.25	78.81	22.97	3.43	81.12	23.19	3.50
50	59.91	29.24	2.05	61.59	28.10	2.19	64.10	26.66	2.40	69.85	23.35	2.99	70.96	22.36	3.17	75.12	22.72	3.31	77.83	22.87	3.40
55	57.41	29.20	1.97	59.01	27.88	2.12	61.41	26.75	2.30	66.15	22.50	2.94	69.00	22.62	3.05	74.57	24.62	3.03	76.66	24.86	3.08
60	54.78	30.85	1.78	56.28	29.64	1.90	58.54	28.11	2.08	63.72	24.24	2.63	65.75	24.56	2.68	68.71	25.13	2.73	70.69	25.05	2.82
65	53.03	34.97	1.52	54.50	33.64	1.62	56.72	31.95	1.77	61.10	26.89	2.27	64.43	26.19	2.46	66.15	26.55	2.49	68.08	26.21	2.60

LWT	DB																				
	20			25			30			35			40			43					
	HC	PI	COP	HC	PI	COP	HC	PI	COP	HC	PI	COP	HC	PI	COP	HC	PI	COP			
25	103.15	25.64	4.02	109.00	25.69	4.24	113.46	23.92	4.74	115.21	21.93	5.25	117.42	21.26	5.52	119.52	20.90	5.72			
30	99.37	25.46	3.90	107.54	25.94	4.15	110.44	24.23	4.56	111.01	21.77	5.10	114.41	21.86	5.23	116.53	21.90	5.32			
35	95.70	23.11	4.14	104.91	24.59	4.27	107.23	23.53	4.56	109.15	21.92	4.98	112.19	22.10	5.08	114.21	21.75	5.25			
40	92.57	23.63	3.92	98.45	24.07	4.09	104.80	24.88	4.21	107.13	22.67	4.73	109.19	22.62	4.83	112.22	22.59	4.97			
45	90.07	23.80	3.78	95.61	24.96	3.83	97.61	24.03	4.06	100.71	22.16	4.55	103.83	22.41	4.63	104.94	22.06	4.76			
48	82.71	23.20	3.57	89.59	24.29	3.69	91.47	24.22	3.78	94.78	22.61	4.19	98.89	23.14	4.27	99.90	22.76	4.39			
50	79.57	22.68	3.51	87.52	24.36	3.59	89.35	24.10	3.71	92.82	22.56	4.12	96.79	23.07	4.20	97.90	22.72	4.31			
55	78.69	24.94	3.15	83.47	25.76	3.24	85.24	24.87	3.43	87.39	22.93	3.81	89.85	23.08	3.89	90.53	22.55	4.01			
60	72.79	24.53	2.97	74.53	24.17	3.08	77.07	23.76	3.24	71.78	19.68	3.65	65.56	17.59	3.73	62.62	16.31	3.84			
65	70.47	26.63	2.65	72.29	26.47	2.73	65.03	22.84	2.85	55.34	17.92	3.09	/	/	/	/	/	/			



75Kw HEAT PUMP – COOLING MODE

LWT	DB																			
	-15			-10			-5			0			5			10				
	CC	PI	EER	CC	PI	EER	CC	PI	EER	CC	PI	EER	CC	PI	EER	CC	PI	EER		
0	/	/	/	/	/	/	/	/	/	/	/	/	/	/	/	/	/	52.07	15.64	3.33
5	/	/	/	/	/	/	/	/	/	/	/	/	/	/	/	/	/	60.36	17.47	3.46
7	/	/	/	/	/	/	/	/	/	/	/	/	/	/	/	/	/	64.26	18.26	3.52
10	62.43	11.84	5.27	61.70	11.98	5.15	60.81	12.56	4.84	58.84	13.17	4.47	57.31	13.85	4.14	68.32	18.14	3.77		
15	71.26	12.35	5.77	70.44	12.37	5.70	69.29	13.44	5.15	66.26	13.02	5.09	65.20	13.13	4.97	74.81	16.16	4.63		
18	76.15	12.65	6.02	75.27	12.69	5.93	74.28	13.54	5.48	72.35	13.42	5.39	70.67	13.33	5.30	79.57	15.95	4.99		
20	79.27	13.23	5.99	78.35	13.28	5.90	77.47	13.94	5.56	76.28	13.97	5.46	74.19	13.73	5.41	82.60	16.24	5.08		

LWT	DB																	
	15			20			25			30			35			40		
	CC	PI	EER	CC	PI	EER	CC	PI	EER	CC	PI	EER	CC	PI	EER	CC	PI	EER
0	60.97	20.51	2.97	60.32	20.85	2.89	59.73	21.53	2.77	59.26	25.24	2.35	56.83	26.13	2.18	45.09	21.47	2.10
5	69.05	21.24	3.25	68.31	21.56	3.17	67.65	22.23	3.04	66.92	25.85	2.59	64.18	26.95	2.38	51.04	22.31	2.29
7	75.52	23.28	3.24	75.10	23.44	3.20	74.24	24.22	3.07	70.81	26.76	2.65	69.29	28.26	2.45	54.76	22.82	2.40
10	82.19	24.53	3.35	81.14	24.64	3.29	79.23	24.79	3.20	77.41	27.99	2.77	74.87	29.02	2.58	56.48	22.32	2.53
15	90.66	21.82	4.15	87.80	22.75	3.86	86.60	24.15	3.59	82.27	24.63	3.34	78.45	25.16	3.12	61.71	20.51	3.01
18	93.86	21.83	4.30	91.87	22.71	4.04	90.83	24.13	3.76	87.96	24.46	3.60	85.07	25.06	3.39	68.07	20.82	3.27
20	95.87	22.06	4.35	94.46	23.03	4.10	93.52	24.50	3.82	91.62	25.10	3.65	87.47	24.92	3.51	72.20	20.98	3.44

LWT	DB								
	43			45			48		
	CC	PI	EER	CC	PI	EER	CC	PI	EER
0	42.34	20.75	2.04	38.96	19.51	2.00	28.69	18.94	1.51
5	47.90	22.28	2.15	42.97	20.43	2.10	29.93	18.11	1.65
7	50.70	21.85	2.32	45.46	20.29	2.24	31.25	16.68	1.87
10	52.79	21.46	2.46	47.75	19.94	2.39	32.03	14.69	2.18
15	49.87	16.96	2.94	42.67	14.93	2.86	32.18	11.86	2.71
18	54.42	17.39	3.13	47.26	15.56	3.04	34.56	12.16	2.84
20	57.38	17.28	3.32	50.28	16.02	3.14	36.14	12.41	2.91

Abbreviations used:
HC: Total heating capacity (kW)
CC: Total cooling capacity (kW)
PI: Power consumption (kW) **LWT:** Leaving water temperature (°C)
DB: Outdoor temperature as indicated by a dry thermometer (°C)
 Performance specifications measured for a water pump operating at nominal flow rate



110kW HEAT PUMP – COOLING MODE

LWT	DB																				
	-15			-10			-5			0			5			10					
	CC	PI	EER	CC	PI	EER	CC	PI	EER	CC	PI	EER	CC	PI	EER	CC	PI	EER			
0	/	/	/	/	/	/	/	/	/	/	/	/	/	/	/	/	/	/	76.99	19.37	3.97
5	/	/	/	/	/	/	/	/	/	/	/	/	/	/	/	/	/	/	88.95	21.41	4.15
7	/	/	/	/	/	/	/	/	/	/	/	/	/	/	/	/	/	/	93.71	22.05	4.25
10	87.88	16.86	5.21	87.01	17.17	5.07	85.81	17.23	4.98	84.66	17.45	4.85	83.52	17.68	4.73	96.08	21.27	4.52			
15	113.31	19.20	5.90	112.19	19.57	5.73	110.55	19.52	5.66	109.50	19.67	5.57	108.45	19.82	5.47	108.78	20.25	5.37			
18	119.21	18.57	6.42	118.03	18.92	6.24	116.54	19.12	6.10	115.36	19.26	5.99	114.19	19.41	5.88	112.93	19.50	5.79			
20	122.94	18.25	6.74	121.73	18.59	6.55	120.34	18.93	6.36	119.08	19.07	6.24	117.82	19.23	6.13	115.50	19.44	5.94			

LWT	DB																				
	15			20			25			30			35			40					
	CC	PI	EER	CC	PI	EER	CC	PI	EER	CC	PI	EER	CC	PI	EER	CC	PI	EER			
0	88.13	25.26	3.49	87.07	26.71	3.26	85.97	27.17	3.16	81.46	29.38	2.77	80.04	32.82	2.44	70.25	30.89	2.27			
5	102.79	26.92	3.82	98.86	27.75	3.56	97.96	28.02	3.50	94.65	31.02	3.05	92.56	35.00	2.64	79.70	33.02	2.41			
7	108.09	27.49	3.93	105.40	28.06	3.76	104.14	28.20	3.69	100.46	31.79	3.16	99.33	34.09	2.91	84.94	32.86	2.59			
10	108.85	27.14	4.01	106.73	27.78	3.84	105.71	28.50	3.71	103.68	31.60	3.28	101.66	33.80	3.01	91.47	33.18	2.76			
15	125.05	27.28	4.58	122.63	28.43	4.31	121.47	28.97	4.19	119.16	33.01	3.61	116.84	33.68	3.47	107.15	35.46	3.02			
18	133.68	28.28	4.73	131.07	29.23	4.48	129.82	29.83	4.35	129.17	34.37	3.76	127.26	35.50	3.58	109.91	33.91	3.24			
20	139.16	28.91	4.81	136.44	29.72	4.59	135.15	30.36	4.45	132.56	34.44	3.85	129.96	34.22	3.80	111.56	33.06	3.37			

LWT	DB											
	43			45			48					
	CC	PI	EER	CC	PI	EER	CC	PI	EER			
0	66.88	32.00	2.09	58.86	29.71	1.98	45.05	26.80	1.68			
5	76.64	34.32	2.23	66.76	31.55	2.12	51.38	27.30	1.88			
7	82.03	34.97	2.35	71.04	31.64	2.25	52.44	24.06	2.18			
10	87.69	34.86	2.52	76.06	30.93	2.46	57.11	24.29	2.35			
15	91.49	31.38	2.92	78.03	27.39	2.85	58.19	21.73	2.68			
18	91.40	29.23	3.13	79.46	26.31	3.02	54.46	19.33	2.82			
20	91.13	28.07	3.25	80.21	25.76	3.11	51.85	17.87	2.90			

Abbreviations used:
HC: Total heating capacity (kW)
CC: Total cooling capacity (kW)
PI: Power consumption (kW) **LWT:** Leaving water temperature (°C)
DB: Outdoor temperature as indicated by a dry thermometer (°C)
Performance specifications measured for a water pump operating at nominal flow rate



140kW HEAT PUMP – HEATING MODE

LWT	DB																				
	-25			-20			-18			-15			-10			-7			-5		
	HC	PI	COP	HC	PI	COP	HC	PI	COP	HC	PI	COP	HC	PI	COP	HC	PI	COP	HC	PI	COP
25	77.95	41.65	1.87	90.77	40.88	2.22	99.27	40.42	2.46	105.93	42.21	2.51	111.22	41.28	2.69	120.04	43.02	2.79	125.95	42.82	2.94
30	71.19	39.52	1.80	82.94	38.78	2.14	94.38	39.61	2.38	99.65	40.80	2.44	106.54	42.09	2.53	114.29	41.74	2.74	119.46	42.08	2.84
35	65.61	40.19	1.63	78.71	40.42	1.95	86.59	39.55	2.19	94.76	42.03	2.25	100.58	42.61	2.36	108.23	41.63	2.60	113.34	42.62	2.66
40	57.13	41.35	1.38	66.34	40.30	1.65	77.29	40.09	1.93	89.96	43.71	2.06	94.90	42.92	2.21	102.67	44.27	2.32	107.86	45.12	2.39
45	/	/	/	62.80	41.24	1.52	76.02	46.49	1.64	86.94	46.52	1.87	91.90	45.76	2.01	100.44	44.47	2.26	106.14	43.17	2.46
48	/	/	/	60.50	43.40	1.39	74.59	48.36	1.54	85.30	48.39	1.76	90.16	47.60	1.89	98.53	46.51	2.12	104.12	46.09	2.26
50	/	/	/	/	/	/	71.99	49.83	1.44	82.31	49.86	1.65	86.99	49.04	1.77	95.05	47.56	2.00	100.45	46.74	2.15
55	/	/	/	/	/	/	/	/	/	78.94	51.40	1.54	83.48	50.66	1.65	91.28	50.13	1.82	96.46	49.25	1.96
60	/	/	/	/	/	/	/	/	/	/	/	/	77.76	49.35	1.58	84.94	51.13	1.66	89.74	52.24	1.72
65	/	/	/	/	/	/	/	/	/	/	/	/	72.76	51.29	1.42	79.59	51.53	1.54	84.13	50.59	1.66

LWT	DB																				
	0			2			5			7			10			12			15		
	HC	PI	COP	HC	PI	COP	HC	PI	COP	HC	PI	COP	HC	PI	COP	HC	PI	COP	HC	PI	COP
25	139.13	46.16	3.01	143.09	45.36	3.15	149.12	44.42	3.36	161.72	39.48	4.10	172.57	41.67	4.14	176.73	42.26	4.18	182.96	43.12	4.24
30	130.96	44.49	2.94	134.43	44.45	3.02	139.69	44.44	3.14	153.43	39.30	3.90	169.03	42.66	3.96	175.41	43.86	4.00	181.20	44.69	4.05
35	125.08	45.38	2.76	127.98	44.83	2.85	132.34	44.08	3.00	142.94	40.54	3.53	162.88	42.91	3.80	169.97	44.38	3.83	173.30	44.55	3.89
40	120.50	47.46	2.54	123.72	47.11	2.63	128.56	46.62	2.76	142.20	40.56	3.51	160.02	44.45	3.60	164.71	44.86	3.67	167.19	44.22	3.78
45	119.48	48.76	2.45	123.06	48.64	2.53	128.43	48.47	2.65	140.94	47.10	2.99	155.17	47.86	3.24	160.54	47.11	3.41	163.45	46.34	3.53
48	117.21	49.86	2.35	120.71	49.87	2.42	125.98	49.99	2.52	137.97	46.78	2.95	149.30	48.79	3.06	152.36	48.09	3.17	156.96	47.13	3.33
50	113.06	50.24	2.25	116.44	50.18	2.32	121.52	50.41	2.41	133.08	48.15	2.76	146.83	51.19	2.87	149.36	49.06	3.04	153.15	49.06	3.12
55	108.54	54.83	1.98	111.77	54.59	2.05	116.62	54.26	2.15	126.37	50.28	2.51	141.17	53.09	2.66	145.76	49.88	2.92	148.21	50.10	2.96
60	100.98	55.79	1.81	104.00	54.79	1.90	108.53	53.45	2.03	118.85	48.33	2.46	131.13	51.34	2.55	139.18	52.63	2.64	140.30	50.46	2.78
65	94.71	55.98	1.69	97.54	54.95	1.78	101.78	53.58	1.90	110.12	50.37	2.19	120.12	52.59	2.28	130.71	52.26	2.50	131.38	51.51	2.55

LWT	DB																				
	20			25			30			35			40			43					
	HC	PI	COP	HC	PI	COP	HC	PI	COP	HC	PI	COP	HC	PI	COP	HC	PI	COP			
25	188.09	43.79	4.30	191.41	44.02	4.35	193.10	43.88	4.40	195.39	43.80	4.46	198.34	43.35	4.58	200.41	43.03	4.66			
30	184.42	44.47	4.15	188.50	44.44	4.24	191.45	44.56	4.30	193.10	44.26	4.36	195.38	43.90	4.45	198.40	43.96	4.51			
35	179.87	44.69	4.03	184.03	44.56	4.13	186.03	44.14	4.21	188.37	43.67	4.31	189.97	43.36	4.38	191.08	43.44	4.40			
40	169.78	43.31	3.92	172.83	43.60	3.96	174.98	42.78	4.09	177.28	42.03	4.22	178.92	41.85	4.27	181.03	42.00	4.31			
45	165.47	45.49	3.64	166.57	45.18	3.69	169.94	45.48	3.74	171.69	45.19	3.80	173.71	44.92	3.87	175.70	44.86	3.92			
48	160.35	46.70	3.43	163.40	46.95	3.48	166.71	47.27	3.53	168.43	46.97	3.59	170.41	46.68	3.65	172.22	46.58	3.70			
50	154.68	48.05	3.22	157.63	48.30	3.26	160.83	48.63	3.31	162.48	48.32	3.36	164.39	48.03	3.42	167.52	48.32	3.47			
55	150.13	50.30	2.98	151.92	50.41	3.01	154.92	50.72	3.05	157.47	50.71	3.11	160.28	50.70	3.16	161.36	50.39	3.20			
60	143.55	50.06	2.87	145.70	50.12	2.91	113.28	38.41	2.95	116.97	39.00	3.00	116.81	38.25	3.05	106.94	34.58	3.09			
65	132.41	50.73	2.61	134.55	50.77	2.65	91.37	34.39	2.66	81.41	30.37	2.68	/	/	/	/	/	/			



140kW HEAT PUMP – COOLING MODE

LWT	DB																	
	-15			-10			-5			0			5			10		
	CC	PI	EER	CC	PI	EER	CC	PI	EER	CC	PI	EER	CC	PI	EER	CC	PI	EER
0	/	/	/	/	/	/	/	/	/	/	/	/	/	/	/	103.83	32.29	3.22
5	/	/	/	/	/	/	/	/	/	/	/	/	/	/	/	118.46	34.38	3.45
7	/	/	/	/	/	/	/	/	/	/	/	/	/	/	/	126.42	35.04	3.61
10	114.01	25.80	4.42	112.89	26.29	4.29	111.32	26.42	4.21	109.83	26.77	4.10	108.33	27.15	3.99	131.31	34.33	3.82
15	133.00	26.54	5.01	131.72	27.04	4.87	129.84	26.96	4.82	128.63	27.15	4.74	127.41	27.36	4.66	132.53	29.09	4.56
18	140.18	25.66	5.46	138.80	26.15	5.31	137.05	26.44	5.18	135.67	26.65	5.09	134.28	26.87	5.00	134.22	27.56	4.87
20	144.55	25.17	5.74	143.13	25.66	5.58	141.51	26.14	5.41	140.03	26.36	5.31	138.56	26.58	5.21	137.27	27.12	5.06

LWT	DB																	
	15			20			25			30			35			40		
	CC	PI	EER	CC	PI	EER	CC	PI	EER	CC	PI	EER	CC	PI	EER	CC	PI	EER
0	115.83	38.73	2.99	110.11	39.46	2.79	108.72	41.18	2.64	107.03	45.22	2.37	105.14	46.41	2.27	74.13	33.80	2.19
5	133.15	41.13	3.24	126.56	41.85	3.02	123.86	43.98	2.82	122.78	47.45	2.59	120.09	50.17	2.39	84.51	36.57	2.31
7	139.75	42.17	3.31	134.73	42.36	3.18	131.53	46.00	2.86	130.20	48.60	2.68	129.29	52.01	2.49	89.66	37.99	2.36
10	143.77	42.78	3.36	141.44	43.77	3.23	139.66	45.15	3.09	136.52	45.25	3.02	133.54	45.83	2.91	97.30	37.73	2.58
15	152.16	38.79	3.92	148.14	40.69	3.64	145.43	41.80	3.48	141.95	41.62	3.41	135.37	40.66	3.33	113.98	40.13	2.84
18	153.91	36.76	4.19	150.37	38.66	3.89	147.76	38.82	3.81	144.16	38.27	3.77	137.06	38.69	3.54	116.59	38.49	3.03
20	154.40	35.82	4.31	151.11	37.72	4.01	148.52	37.78	3.93	144.96	37.47	3.87	140.98	37.16	3.79	118.12	37.53	3.15

LWT	DB								
	43			45			48		
	CC	PI	EER	CC	PI	EER	CC	PI	EER
0	70.57	35.02	2.02	62.11	32.50	1.91	47.56	29.27	1.62
5	81.26	38.00	2.14	70.77	34.94	2.03	54.47	30.20	1.80
7	86.58	39.17	2.21	74.96	35.46	2.11	55.34	26.94	2.05
10	93.27	39.66	2.35	80.87	35.22	2.30	60.71	27.65	2.20
15	97.32	35.57	2.74	82.97	31.09	2.67	61.85	24.66	2.51
18	96.92	33.22	2.92	84.24	29.90	2.82	57.77	21.92	2.64
20	96.45	31.91	3.02	84.88	29.30	2.90	54.90	20.27	2.71

Abbreviations used:
HC: Total heating capacity (kW)
CC: Total cooling capacity (kW)
PI: Power consumption (kW) **LWT:** Leaving water temperature (°C)
DB: Outdoor temperature as indicated by a dry thermometer (°C)
 Performance specifications measured for a water pump operating at nominal flow rate



kaisai.com